



VF

Heavy Duty Upright Freezer

4094 Paul Buchman Highway
Plant City, FL 33565
800.441.4014 | 813.870.0340
www.excellenceindustries.com

The company reserves the right to change the design and/or specifications of these products without notice. Printed in the USA.
Current version 01.24

KEY ASPECTS

SPECIAL FEATURES:

- Environmentally friendly hydrocarbon refrigerant
- 16 gauge steel base

OPTIONS:

- Graphics
- Extra shelves
- Casters



Complies with 2017 DOE standards for commercial freezer and ice cream freezer

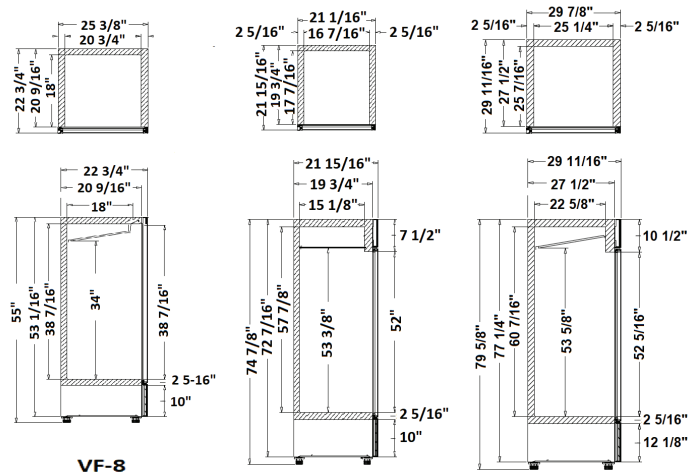


TECHNICAL SUMMARY

MODEL	SIZE				ELECTRICAL		REFRIGERATION			OTHER	
	Dimensions (inches)* Width x Depth x Height	Cubic Feet	Net Weight (lbs.)	Shipping Weight (lbs.)**	Voltage/Hz/Phase	Running Amps	Compressor HP	Refrigerant	Temperature	No. of Shelves	Container Quantity
VF-8HC	25 3/8 x 22 3/4 x 55	8	364	375	115/60/1	3.5	1/3	R-290	-15°F to +25°F	3	54
VF-12HC	21 1/4 x 22 x 75	12	364	375	115/60/1	3.5	1/2	R-290	-15°F to +25°F	4	60
VF-23HC	29 7/8 x 29 11/16 x 79 5/8	24	364	375	115/60/1	2.7	1/2	R-290	-15°F to +25°F	4	42

*Dimensions are all nominal lengths

**Does not include weight of pallets when needed



4094 Paul Buchman Highway
 Plant City, FL 33565
 800.441.4014 | 813.870.0340
www.excellenceindustries.com
 ver. 01.24