



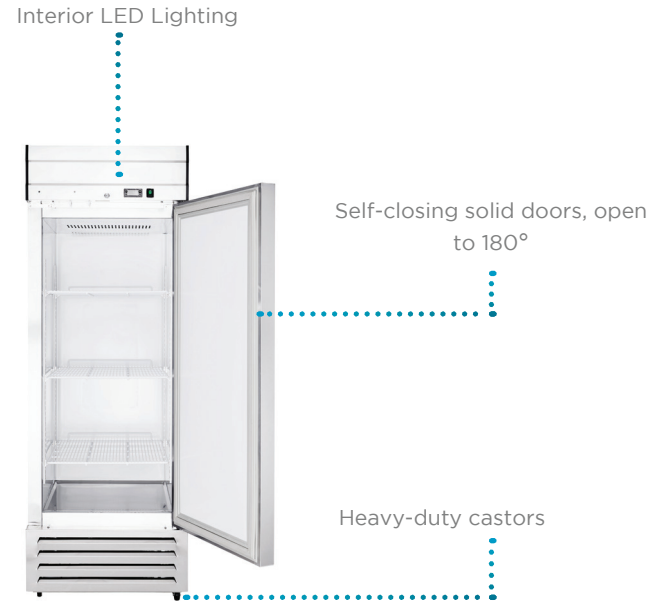
DSS-19

One Door Stainless Steel Cooler and Freezer

KEY ASPECTS

SPECIAL FEATURES:

- Stainless steel exterior
- Pre-coated aluminum interior
- Evaporator with anti-corrosion treatment
- Hot gas anti-condensation
- Coated wire shelves: heavy-duty, corrosion-resistant, adjustable
- Ventilated cooling system
- Automatic defrost
- Digital temperature control with temperature display
- Bottom-mounted compressor
- Easy-to-grip plastic recessed door handle
- Lock & keys fitted as standard



TECHNICAL SUMMARY

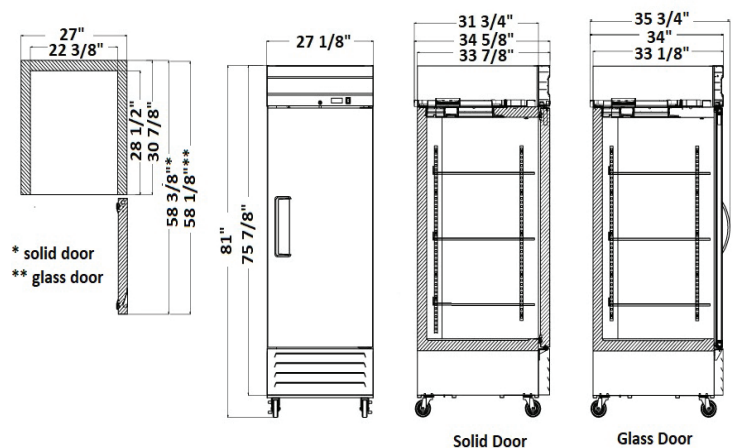
MODEL	SIZE				ELECTRICAL		REFRIGERATION			OTHER	
	Dimensions (inches)* Width x Depth x Height	Cubic Feet	Net Weight (lbs.) Solid door/ Glass door	Shipping Weight (lbs.)**	Voltage/Hz/Phase	Running Amps	Compressor HP	Refrigerant	Temperature	No. of flat shelves	Container Quantity (Solid door/glass door)
DSS-19C	27 1/8 x 34 5/8*** x 81	19.3	223/249	TBD	115/60/1	TBD	TBD	R-600a	TBD	3	42/36
DSS-19F	27 1/8 x 34 5/8*** x 81	19.3	223/249	TBD	115/60/1	TBD	TBD	R-290	TBD	3	42/36
DSS-19CG	27 1/8 x 34 5/8*** x 81	19.3	223/249	TBD	115/60/1	TBD	TBD	R-600a	TBD	3	42/36

C=Cooler, F= Freezer, CG=Glass Door Cooler

*Dimensions are all nominal lengths

**Does not include weight of pallet when needed

***Glass door handle is 35 3/4



4094 Paul Buchman Highway
Plant City, FL 33565
800.441.4014 | 813.870.0340
www.excellenceindustries.com
ver. 01.24