

AC

Air Curtain Display Cooler

4094 Paul Buchman Highway
Plant City, FL 33565
800.441.4014 | 813.870.0340
www.excellenceindustries.com

The company reserves the right to change the design and/or specifications of these products without notice. Printed in the USA.
Current version 09.22

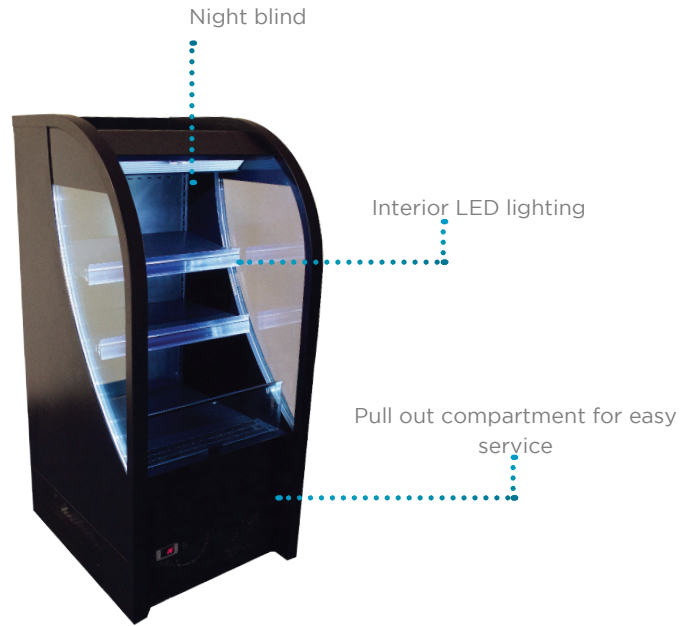
KEY ASPECTS

SPECIAL FEATURES:

- Easy maintenance and service
- Electronic thermostat
- Energy efficient
- Environmentally friendly hydrocarbon refrigerant
- Price tag molding

OPTIONS:

- Extra shelves
- Graphics
- Casters with 2 locking



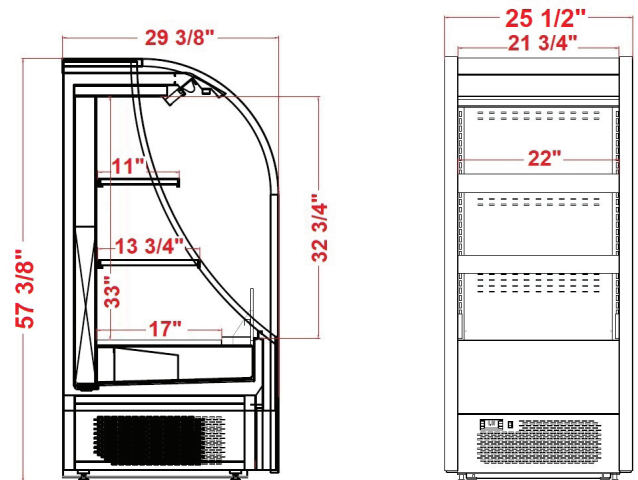
Complies with 2017 DOE standards for commercial cooler without door

TECHNICAL SUMMARY

| MODEL | SIZE | ELECTRICAL | | | REFRIGERATION | | | OTHER | | |
|--------|--|------------|-------------------|--------------------------|------------------|--------------|---------------|-------------|----------------|--------------------|
| | Dimensions (inches)* Width x Depth x Height | Cubic Feet | Net Weight (lbs.) | Shipping Weight (lbs.)** | Voltage/Hz/Phase | Running Amps | Compressor HP | Refrigerant | Temperature | Container Quantity |
| AC-6HC | 25 1/2 x 29 3/8 x 57 3/8 | 6.0 | 297 | 364 | 115/60/1 | 8.0 | 1/2 | R-290 | +32°F to +41°F | 42 |

*Dimensions are all nominal lengths

**Does not include weight of pallet when needed



4094 Paul Buchman Highway
Plant City, FL 33565
800.441.4014 | 813.870.0340
www.excellenceindustries.com
ver. 09.22