



SPOT

Dual Temperature Merchandiser

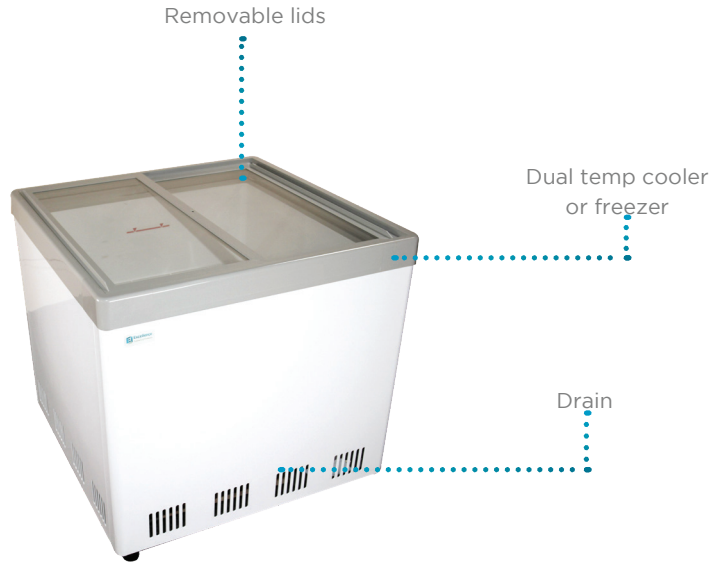
KEY ASPECTS

SPECIAL FEATURES:

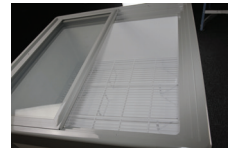
- Standard with wire shelf
- Adjustable thermostat
- Painted steel interior
- Casters with 2 locking
- Operates as a cooler or freezer

OPTIONS:

- Graphics



Shown with no lids



Interior



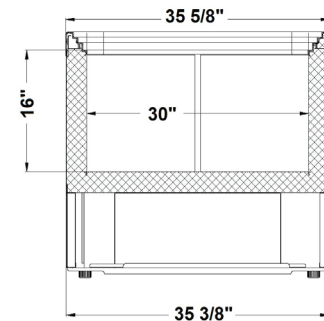
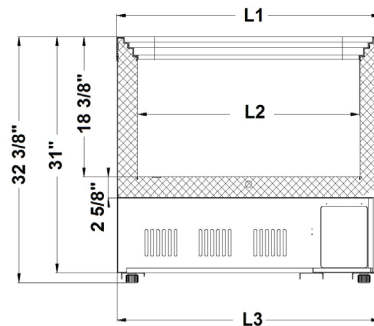
Complies with 2017 DOE standards for commercial cooler and freezer with or without doors

TECHNICAL SUMMARY

MODEL	SIZE	ELECTRICAL			REFRIGERATION			OTHER			
	Dimensions (inches)* Width x Depth x Height	Cubic Feet	Net Weight (lbs.)	Shipping Weight (lbs.)**	Voltage/Hz/Phase	Running Amps	Compressor HP	Refrigerant	Temperature	No. of 12" Facings	Container Quantity
SPOT-4HCD	35 5/8 x 35 5/8 x 34 1/8	8.3	159	172	115/60/1	1.4	1/3	R-290	0°F to +40°F	4	48
SPOT-6HCD	47 3/8 x 35 5/8 x 34 1/8	11.5	172	192	115/60/1	2.0	1/3	R-290	0°F to +40°F	6	42

*Dimensions are all nominal lengths

**Does not include weight of pallets when needed



MODEL	L1	L2	L3
Spot 4	35 5/8"	30"	35 1/2"
Spot 6	47 3/8"	41 3/4"	47 1/4"



4094 Paul Buchman Highway
Plant City, FL 33565
800.441.4014 | 813.870.0340
www.excellenceindustries.com
ver. 09.22