



VBN

Narrow Bunker

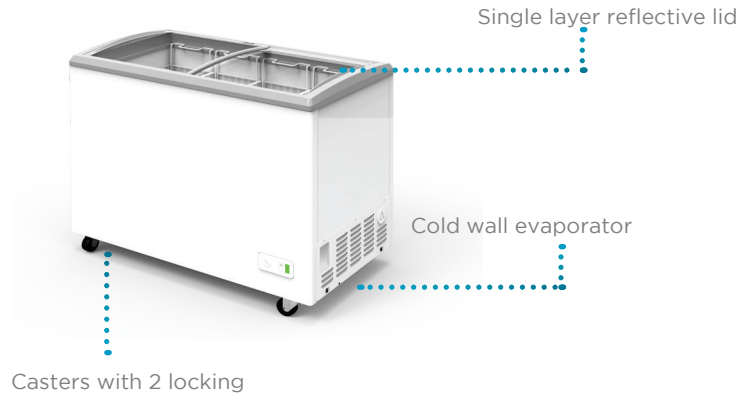
KEY ASPECTS

SPECIAL FEATURES:

- Small footprint
- Baskets with product dividers standard
- Adjustable thermostat
- Painted steel interior
- LED lighted interior

OPTIONS:

- Graphics
- Lock and key



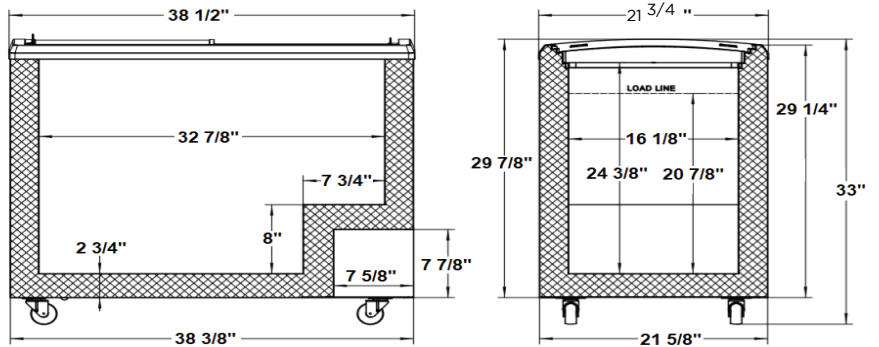
Complies with 2017 DOE standards for cooler, freezer and ice cream freezer

TECHNICAL SUMMARY

MODEL	SIZE				ELECTRICAL	REFRIGERATION			OTHER		
	Dimensions (inches)* Width x Depth x Height	Cubic Feet	Net Weight (lbs.)	Shipping Weight (lbs.)**	Voltage/Hz/Phase	Running Amps	Compressor HP	Refrigerant	Temperature	No. of Baskets	Container Quantity
VBN-4	38 1/2 x 21 3/4 x 33	5.8	109	120	115/60/1	1.3	1/7	R-600	-15°F to +40°F	4	123

*Dimensions are all nominal lengths

**Does not include weight of pallets when needed



500 S. Falkenburg Road
Suite 200 | Tampa, FL 33619
800.441.4014 | 813.870.0340
www.excellenceindustries.com
ver 01.20