



VB

Curved Lid Display Freezer And Ice Cream Freezer

500 S. Falkenburg Road
Suite 200 | Tampa, FL 33619
800.441.4014 | 813.870.0340
www.excellenceindustries.com

The company reserves the right to change the design and/or specifications of these products without notice. Printed in the USA.
Current version 01.20

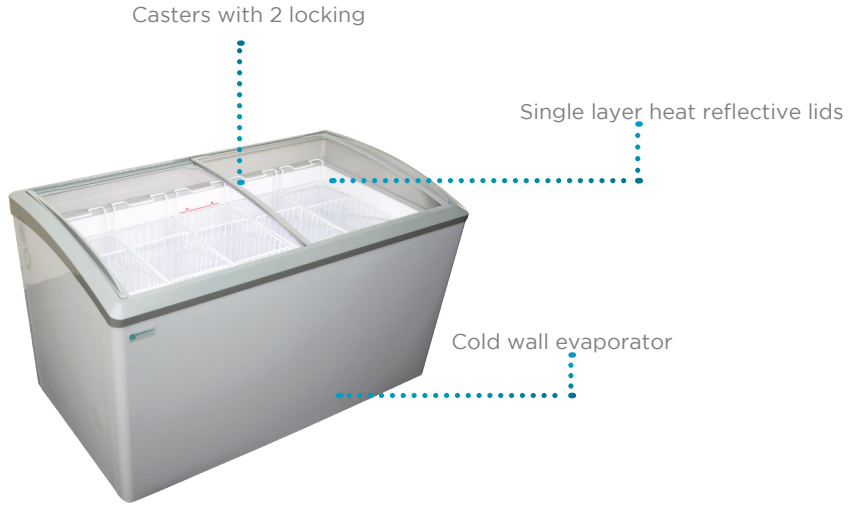
KEY ASPECTS

SPECIAL FEATURES:

- Baskets with product dividers included
- Adjustable thermostat
- Painted steel interior
- LED lighted interior

OPTIONS:

- Graphics
- Lock and key
- Built in analog thermometer- full container orders only



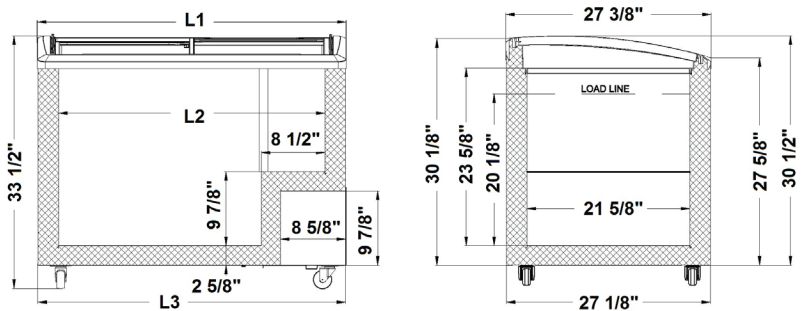
Complies with 2017 DOE standards for commercial freezer and commercial ice cream freezer

TECHNICAL SUMMARY

MODEL	SIZE	ELECTRICAL			REFRIGERATION			OTHER			
	Dimensions (inches)* Width x Depth x Height	Cubic Feet	Net Weight (lbs.)	Shipping Weight (lbs.)**	Voltage/Hz/Phase	Running Amps	Compressor HP	Refrigerant	Temperature	No. of Baskets	Container Quantity
VB-2HC	28 1/2 x 27 3/8 x 33 1/2	6.3	112	128	115/60/1	1.3	1/7	R-290	-15°F to +15°F	2	126
VB-3HC	31 1/2 x 27 3/8 x 33 1/2	7.3	117	133	115/60/1	1.3	1/7	R-290	-15°F to +15°F	3	117
VB-4HC	41 1/8 x 27 3/8 x 33 1/2	10.4	146	159	115/60/1	1.4	1/5	R-290	-15°F to +15°F	4	94
VB-5HC	48 7/8 x 27 3/8 x 33 1/2	12.9	166	181	115/60/1	2.0	1/4	R-290	-15°F to +15°F	5	80
VB-6HC	59 1/2 x 27 3/8 x 33 1/2	16.3	188	202	115/60/1	2.0	1/4	R-290	-15°F to +15°F	6	66
VB-7HC	66 3/8 x 27 3/8 x 33 1/2	18.5	202	222	115/60/1	3.0	1/5	R-290	-15°F to +15°F	7	57

*Dimensions are all nominal lengths

**Does not include weight of pallets when needed



MODEL	L1	L2	L3
VB-2	28 1/2"	22 7/8"	28 3/8"
VB-3	31 1/2"	25 7/8"	31 3/8"
VB-4	41 1/8"	35 1/2"	41"
VB-5	48 7/8"	41 1/8"	48 5/8"
VB-6	59 1/2"	53 3/4"	59 1/4"
VB-7	66 3/8"	60 5/8"	66 1/8"

500 S. Falkenburg Road
 Suite 200 | Tampa, FL 33619
 800.441.4014 | 813.870.0340
www.excellenceindustries.com
 ver. 01.20