



MC

Curved Mini Bunker Freezer and Ice Cream Freezer

KEY ASPECTS

SPECIAL FEATURES:

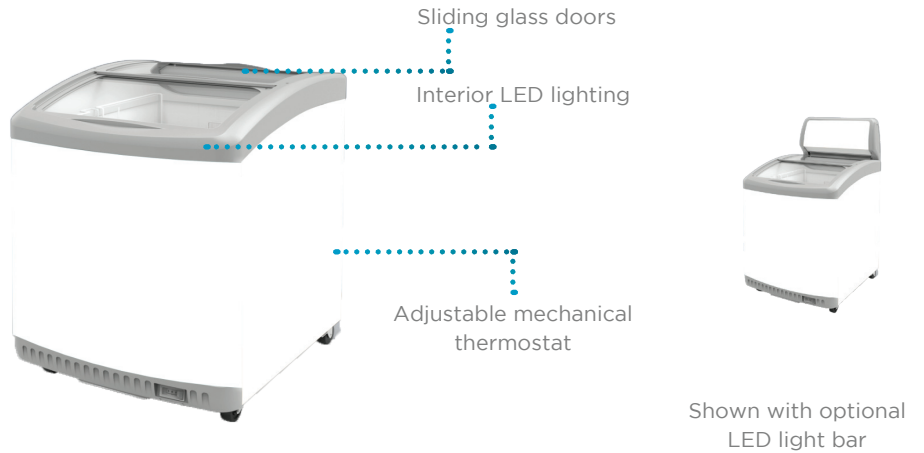
- Painted steel interior
- Cold wall evaporator
- Baskets include 2 dividers each
- Casters standard, 2 front locking
- Environmentally friendly hydrocarbon refrigerant

OPTIONS:

- LED light bar
- Lock & key
- Graphics



Complies with 2017 DOE standards for commercial freezer and ice cream freezer

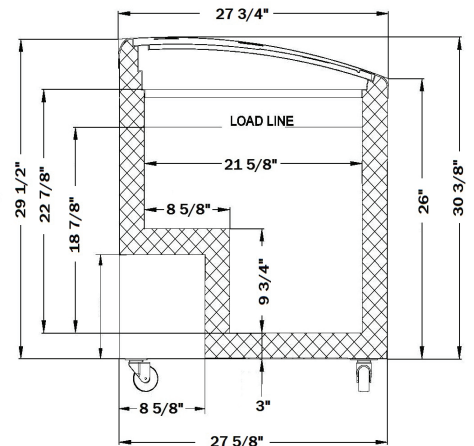
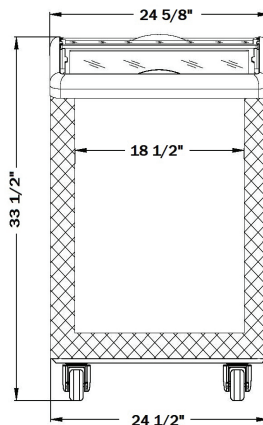


TECHNICAL SUMMARY

MODEL	SIZE	ELECTRICAL			REFRIGERATION			OTHER			
	Dimensions (inches)* Length x Depth x Height	Cubic Feet	Net Weight (lbs.)	Shipping Weight (lbs.)**	Voltage/Hz/Phase	Running Amps	Compressor HP	Refrigerant	Temperature	Number of baskets	Container Quantity
MC-2HC	24 5/8" x 27 3/4" x 33 1/2"	4.8	106	119	115/60/1	1.0	1/9	R-600a	-15° to +20°F	2	159

*Dimensions are all nominal lengths

**Does not include weight of pallet when needed



Optional light bar adds 10 1/2" height and 1 1/4" depth



500 S. Falkenburg Road
Suite 200 | Tampa, FL 33619
800.441.4014 | 813.870.0340
www.excellenceindustries.com
ver. 01.20