



---

**MB**

---

## Dual Temperature Mini Bunker Cooler and Freezer

---

500 S. Falkenburg Road  
Suite 200 | Tampa, FL 33619  
800.441.4014 | 813.870.0340  
[www.excellenceindustries.com](http://www.excellenceindustries.com)

The company reserves the right to change the design and/or specifications of these products without notice. Printed in the USA.  
Current version 01.20

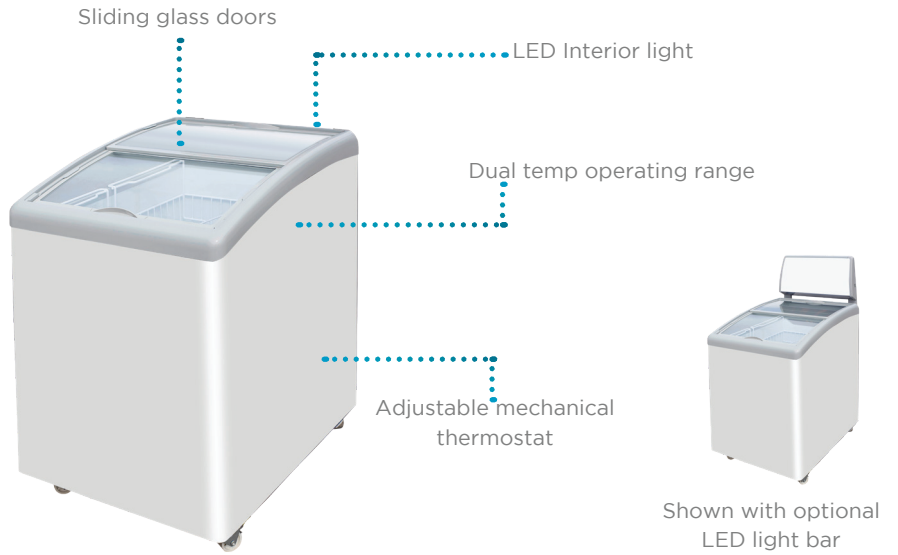
# KEY ASPECTS

## SPECIAL FEATURES:

- Painted steel interior
- Cold wall evaporator
- Baskets include 2 dividers each
- Casters standard, front locking
- Environmentally friendly hydrocarbon refrigerant

## OPTIONS:

- LED light bar
- Lock & key
- Graphics



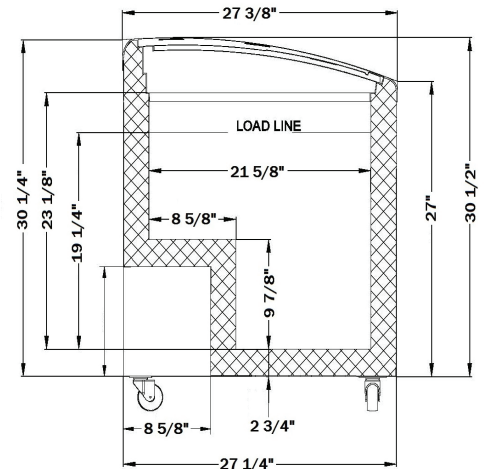
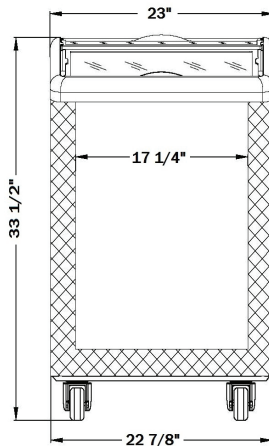
Complies with 2017 DOE standards for commercial cooler and freezer

## TECHNICAL SUMMARY

MODEL	SIZE				ELECTRICAL	REFRIGERATION			OTHER		
	Dimensions (inches)* Width x Depth x Height	Cubic Feet	Net Weight (lbs.)	Shipping Weight (lbs.)**	Voltage/Hz/Phase	Running Amps	Compressor HP	Refrigerant	Temperature	Number of baskets	Container Quantity
MB-2HCD	23 x 27 3/8 x 33 1/2	4.8	106	119	115/60/1	1.0	1/9	R-600a	-5°F to +40°F	2	168

\*Dimensions are all nominal lengths

\*\*Does not include weight of pallet when needed



500 S. Falkenburg Road  
Suite 200 | Tampa, FL 33619  
800.441.4014 | 813.870.0340  
www.excellenceindustries.com  
ver. 01.20