



---

**MC**

---

## Curved Mini Bunker Freezer and Ice Cream Freezer

# KEY ASPECTS

## SPECIAL FEATURES:

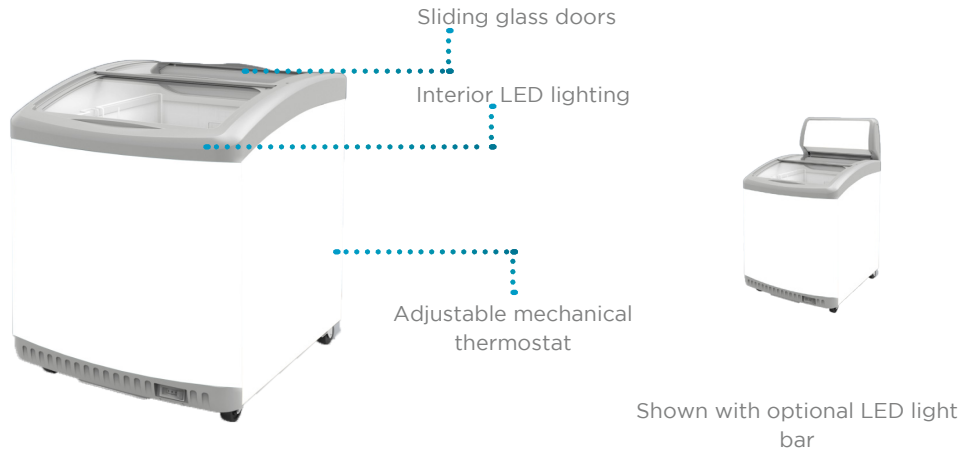
- Painted steel interior
- Cold wall evaporator
- Baskets include 2 dividers each
- Casters standard, 2 front locking
- Environmentally friendly hydrocarbon refrigerant

## OPTIONS:

- LED light bar
- Lock & key
- Graphics



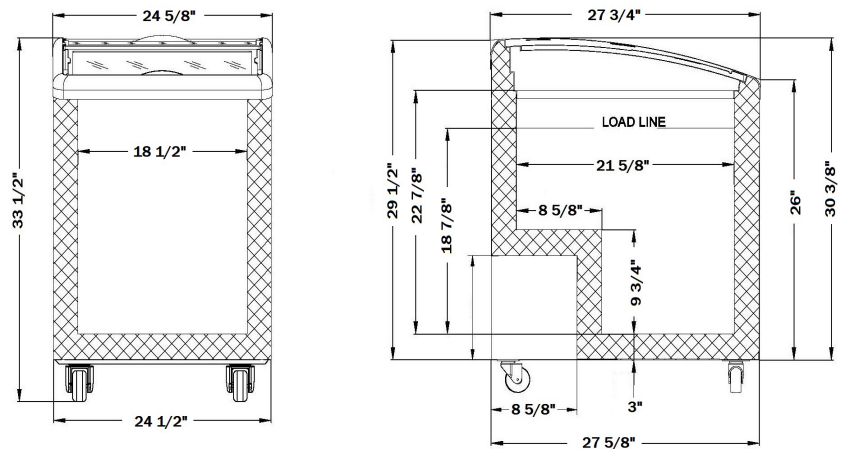
Complies with 2017 DOE standards for commercial freezer and ice cream freezer



## TECHNICAL SUMMARY

MODEL	SIZE				ELECTRICAL			REFRIGERATION			OTHER	
	Dimensions (inches) Length x Depth x Height	Cubic Feet	Net Weight (lbs.)	Shipping Weight (lbs.)	Voltage/Hz/Phase	Running Amps	Max KWh/24hr	Compressor HP	Refrigerant	Temperature	Number of baskets	Container Quantity
MCT-2HC	24 5/8 x 27 3/4 x 33 1/2	4.8	104	117	115/60/1	1.0	1.4	1/9	R-600a	+15° to +10°F	2	168

\*Does not include weight of pallet when needed



Optional light bar adds 10 1/2" height and 1 1/4" depth

