



HM

Jumbo Freezer and Ice Cream Freezer

500 S. Falkenburg Road
Suite 200 | Tampa, FL 33619
800.441.4014 | 813.870.0340
www.excellenceindustries.com

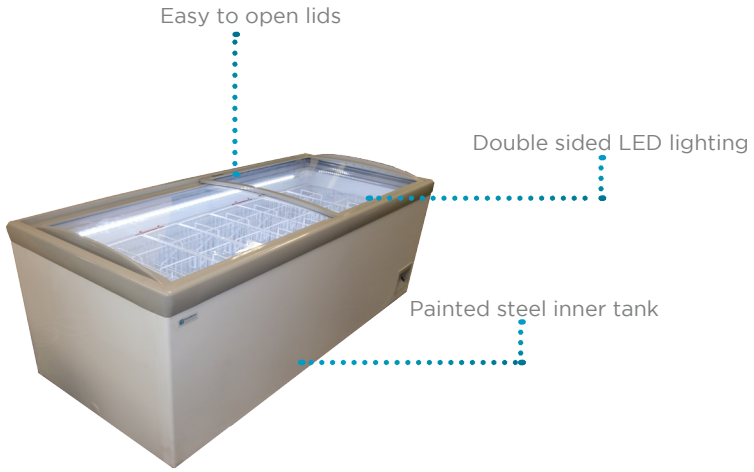
KEY ASPECTS

SPECIAL FEATURES:

- 8 Baskets with 3 dividers each included
- High efficiency compressors
- Casters standard with 2 locking
- Environmentally friendly hydrocarbon refrigerant

OPTIONS:

- False bottoms
- Graphics
- Partitions

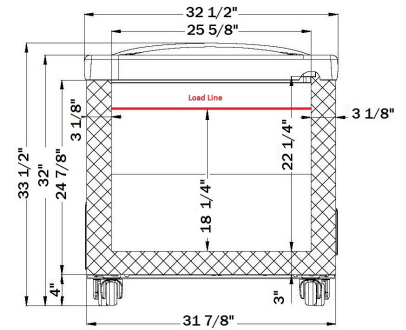
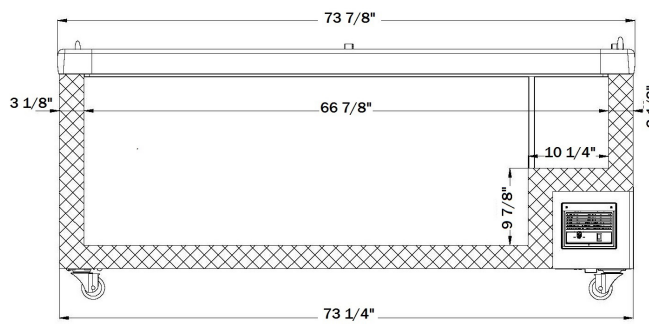


Complies with 2017 DOE standards for commercial freezer and ice cream freezer

TECHNICAL SUMMARY

MODEL	SIZE				ELECTRICAL			REFRIGERATION		OTHER	
	Dimensions (inches) Width x Depth x Height	Cubic Feet	Net Weight (lbs.)**	Shipping Weight (lbs.)	Voltage/Hz/Phase	Running Amps	Max KWh/24hr	Compressor HP	Refrigerant	Temperature	Container Quantity
HM-23HC	73 3/4 x 32 1/2 x 31	23.3	229	286	115/60/1	5.5	5.2	3/4	R-290	-15° to +10°F	39

**Does not include weight of pallets when needed



500 S. Falkenburg Road
Suite 200 | Tampa, FL 33619
800.441.4014 | 813.870.0340
www.excellenceindustries.com
ver. 6.18