
SC

Countertop Cooler
with Lighted Sign



SC52



Profit from the Power of Partnership.

800.441.4014

www.excellenceindustries.com

SC Countertop Cooler with Lighted Sign



SC 40



SC 52



SC 80

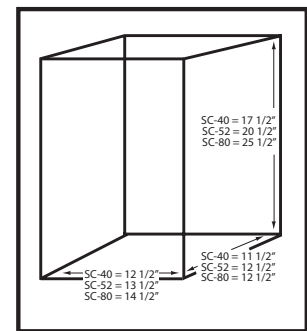
Technical Summary

Model	Size				Electrical			Refrigeration		Other		
	Dimensions (inches) Length x Depth x Height	Cubic Feet	Net Weight (lbs.)	Shipping Weight (lbs.)	Voltage/Hz/Phase	Running Amps	KWh/24hr	Compressor HP	Refrigerant	Temperature	No. of Shelves	Container Quantity
SC-40	16 x 16 x 29	1.5	45	70	115/60/1	1.6	0.76	1/12	R-134a	+34° to +45°F	2	388
SC-52	16 1/2 x 18 x 31	2.0	51	76	115/60/1	1.6	0.76	1/10	R-134a	+34° to +45°F	3	300
SC-80	18 1/4 x 18 1/2 x 37	2.7	62	87	115/60/1	1.6	0.76	1/10	R-134a	+34° to +45°F	3	184

SPECIAL FEATURES

- Interior light for clear product display
- Lighted sign for advertising
- Fully insulated glass door w/ black trim
- Standard door lock
- Recessed door handle

Internal Dimensions



Profit from the Power of Partnership.

Excellence Industries is a division of Stajac Industries, Inc. The company reserves the right to change the design and/or specifications of these products without notice. Printed in the U.S.A. (8/16)

Innovation
Logistics
Distribution
Leasing
Service
Refurbishing
Recycling

500 S. Falkenburg Road, Suite 200 | Tampa, FL 33619 | 800.441.4014

www.excellenceindustries.com